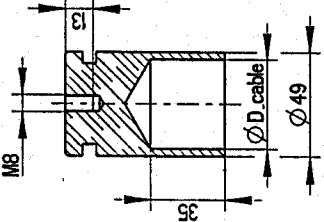


INNER TERMINAL

Catalogue No	D. cable	MASS
LF70080-A	5	1
LF70080-B	11	1
LF70080-C	13	1
LF70080-D	15	1
LF70080-E	18	1
LF70080-F	30	1
LF70080-G	42	1
LF70080-H	45	1



OUTER TERMINAL

Catalogue No	MATERIAL	MASS	H2	D. STUD
LF70079-A	AL	23	125	60
LF70079-B	AL	16	125	30
LF70079-C	CU	62	125	60
LF70079-D	CU	36	125	30
LF70079-E	CU/SN	62	125	60
LF70079-F	CU/SN	36	125	30
LF70079-G	CU/AG	62	125	60
LF70079-H	CU/AG	36	125	30

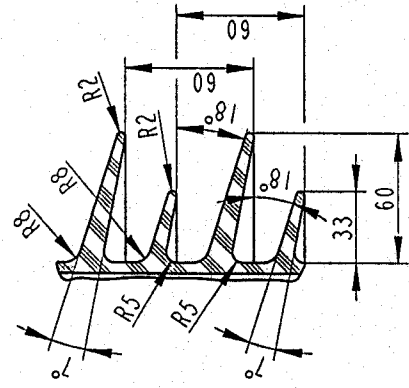
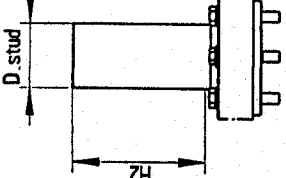


ABB Components Lutha, Sweden
 GSA170-0A/1600/05 LFB070-BC

No. 170/170 IV 1600 A 50/60 Hz
 U / S / AC 750 / - / 365 kV
 M 69 kg L 90 mm V 0-90
 C1 PF Tan δ ;
 C2 PF Tan δ ;

ELECTRICAL DATA, according to IEC 137

Ratings	Rated voltage	170 kV
	Max phase to earth voltage, temporary	170 kV
	Max current with Cu-conductor	1600 A
	Max current with stranded cable 740 mm ²	1000 A
	Dry lightning impulse	750 kV
	Wet power frequency	325 kV
Routine test	Dry power frequency	365 kV
Capacitance	Nominal capacitance	438 pF

GENERAL DATA, according to IEC 137

Silicone rubber insulator	Creepage distance	5504 mm
	Protected creepage distance	2400 mm
Colour		GREY RAL 7035
Mass	Mass bushing	69 kg
Cantilever load	Cantilever test load, heavy load	4000 N
	Max cantilever operating load, bushing	2000 N
Temp class	Temperature class	CLASS 2
Mounting and service instructions		2750 515-15

ELECTRICAL DATA according to ANSI C57.19.00

Ratings	Insulation class	161 kV
	Rated max line to ground voltage	162 kV
	Max current with Cu-conductor	1600 A
	Max current with stranded cable 740 mm ²	1000 A

Dim. requirements acc. to C57.19.01 not fulfilled.

Based on

Prepared LINUSSON

Approved JACOBSON

Revision

Signatures acc. to Revision 0 are valid
 Signaturer enligt Revision 0 gäller

Production engineering review ÅSMO

Inspection engineering review JOHANSSON

Design engineering review PETRICI

Responsible department COM/BKU 96 44

Table over department GSA170-0A/1600/0.5

Language 82

Page 1(1)

Document No. 2751362-FBC

ABB Components ABB Components

All rights reserved in this document and the information contained therein. Reproduction, use or distribution in third parties without express authorisation is strictly forbidden.